

47-11

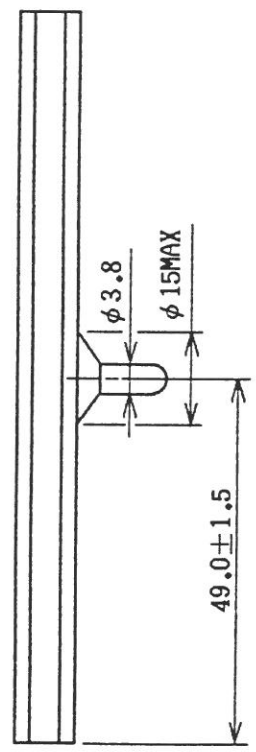
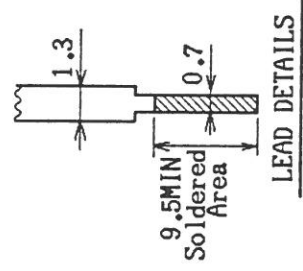
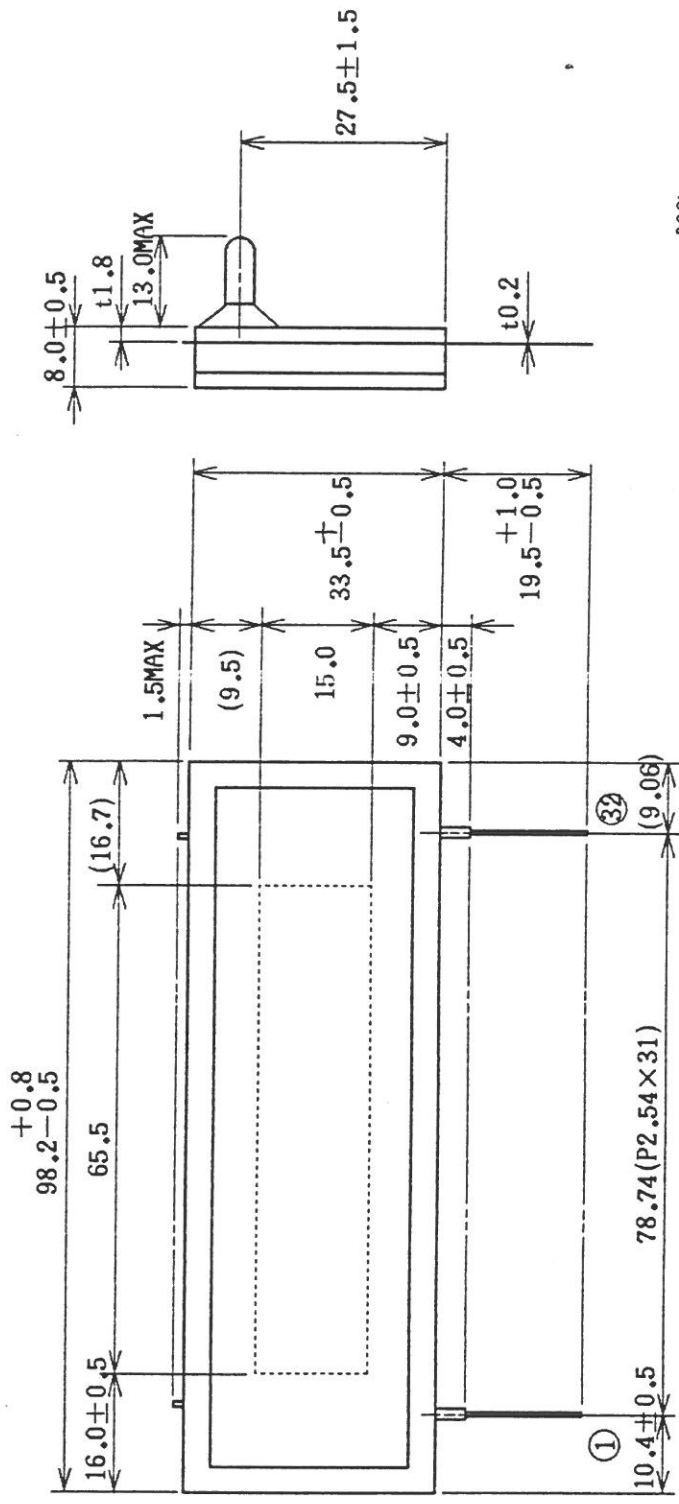
電気的特性 ; Electrical Characteristics.

Item	Test Condition	Symbol	Min.	Typ.	Max.	Unit
フィラメント電流 Filament Current	$E_f = 3.0 V_{ac}$ $e_b = e_c = 0$	I_f	67	75	83	mA
アノード電流 Anode Current	$E_f = 3.0 V_{ac}$ $e_c = 26 V_{p-p}$	$i_{b/dig}$	-	5.0	10.0	mA
		$i_{b/sym}$	-	0.5	1.0	mA
		$i_{b/}$	-			mA
グリッド電流 Grid Current	$e_b(\phi) = 26 V_{p-p}$ $e_b(\) = V_{p-p}$ $e_b(\) = V_{p-p}$	$i_{c/grid}$	-	7.0	12.0	mA
		$i_{c/}$	-			mA
		$i_{c/}$	-			mA
拡散グリッド電流 Diffusion Grid Current	$E_k = (4 V_{dc})$ $t_p = 80 \mu s$	I_{cd}	-	-	2.6	mA
輝度 Brightness	$t_{blank} = 20 \mu s$ $D_u = 1/7.5$ $E_{cd} = 26 V_{dc}$ $R_d = 10 k\Omega$	$L(\phi)$	(240) (70)	(620) (180)	(-) (-)	($\frac{cd}{ft-L}$) ($\frac{cd}{ft-L}$)
		$L(\)$	()	()	()	($\frac{cd}{ft-L}$)
		$L(\)$	()	()	()	($\frac{cd}{ft-L}$)
輝度比 Brightness Ratio Between Digits		$\frac{L_{max}}{L_{min}}$	-	-	2	
グリッド消去電圧 Grid Cut-Off Voltage	$E_f = 3.0 V_{ac}$ $E_b = 26 V_{dc}$ $E_c = vary$	E_{cco}	-6.0 *(-4.0)	-	-	Vdc
アノード消去電圧 Anode Cut-Off Voltage	$E_f = 3.0 V_{ac}$ $D_u = 1/7.5$ $t_p = 80 \mu s$ $e_c = 26 V_{p-p}$ $E_b = vary$	E_{bco}	-2.5 *(-1.0)	-	-	Vdc

* () 内は、センタータップを接地した場合である。

The value in * () indicates the case of center tap grounded.

47-12



OUTER DIMENSION

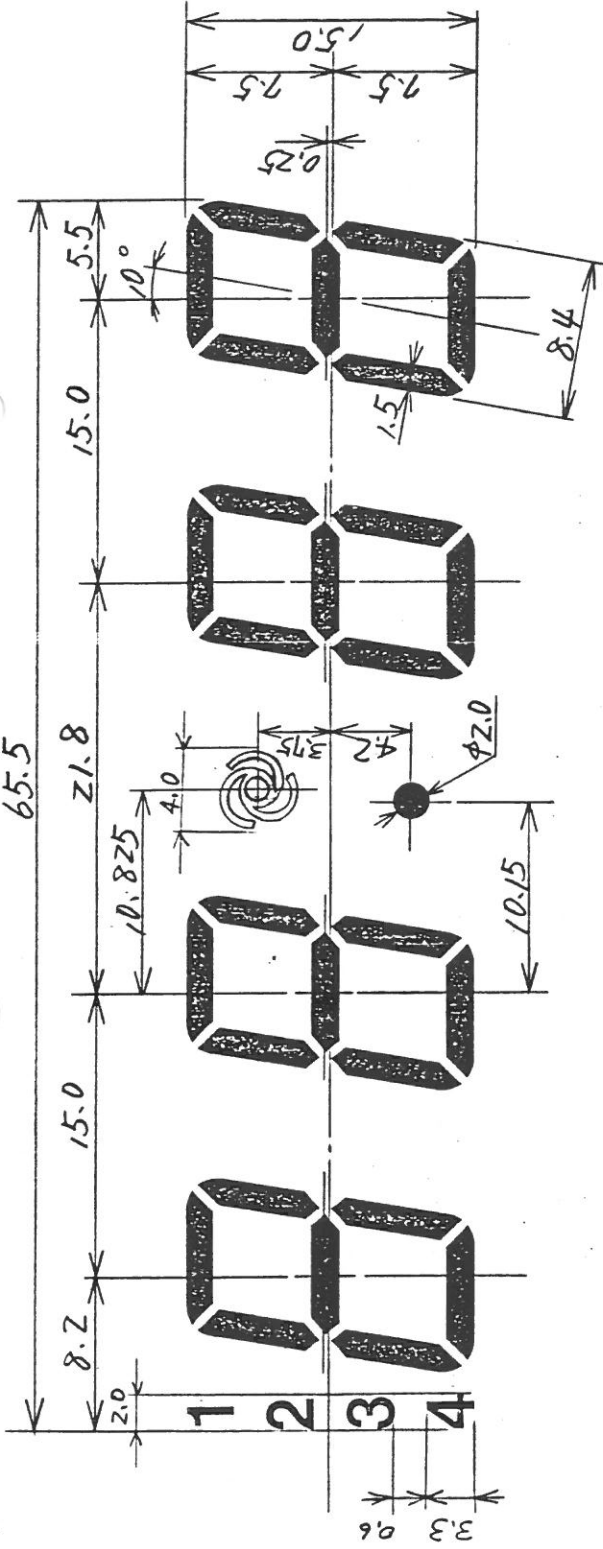
1	2	3	4	5	6	7	8	9	10	11	12	13	14	15	16	17	18	19	20	21	22	23	24	25	26	27	28	29	30	31	32	
F	Gd	h	G	i	j	k	G	l	G	4	NP	NP	NP	G	NP	g	f	G	2	NP	NP	NP	G	e	G	d	c	b	G	a	NP	F

F : Filament G : Grid Gd : Diffusion Grid Np : No leadpin

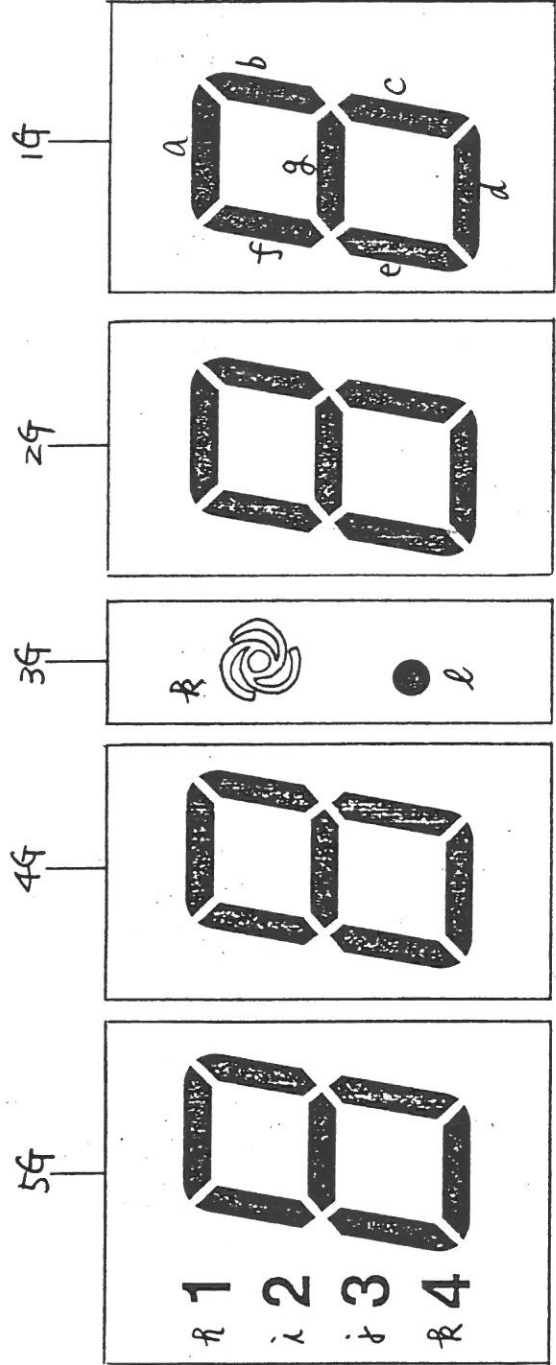
4-LT-46ZB3
OUTER DIMENSION

47-13

PATTERN DETAIL



GRID ASSIGNMENT



NOTE ; The shape of 7segments is 'F' pattern and symbol is 'HELVETICA REGULAR' registered in FUTABA CAD system.

4-LT-468B3
PATTERN DETAIL